

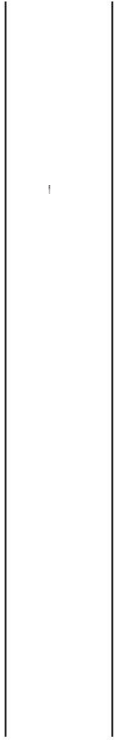
11/11/2019

11/11/2019

11/11/2019

11/11/2019





.....







11/11/2017



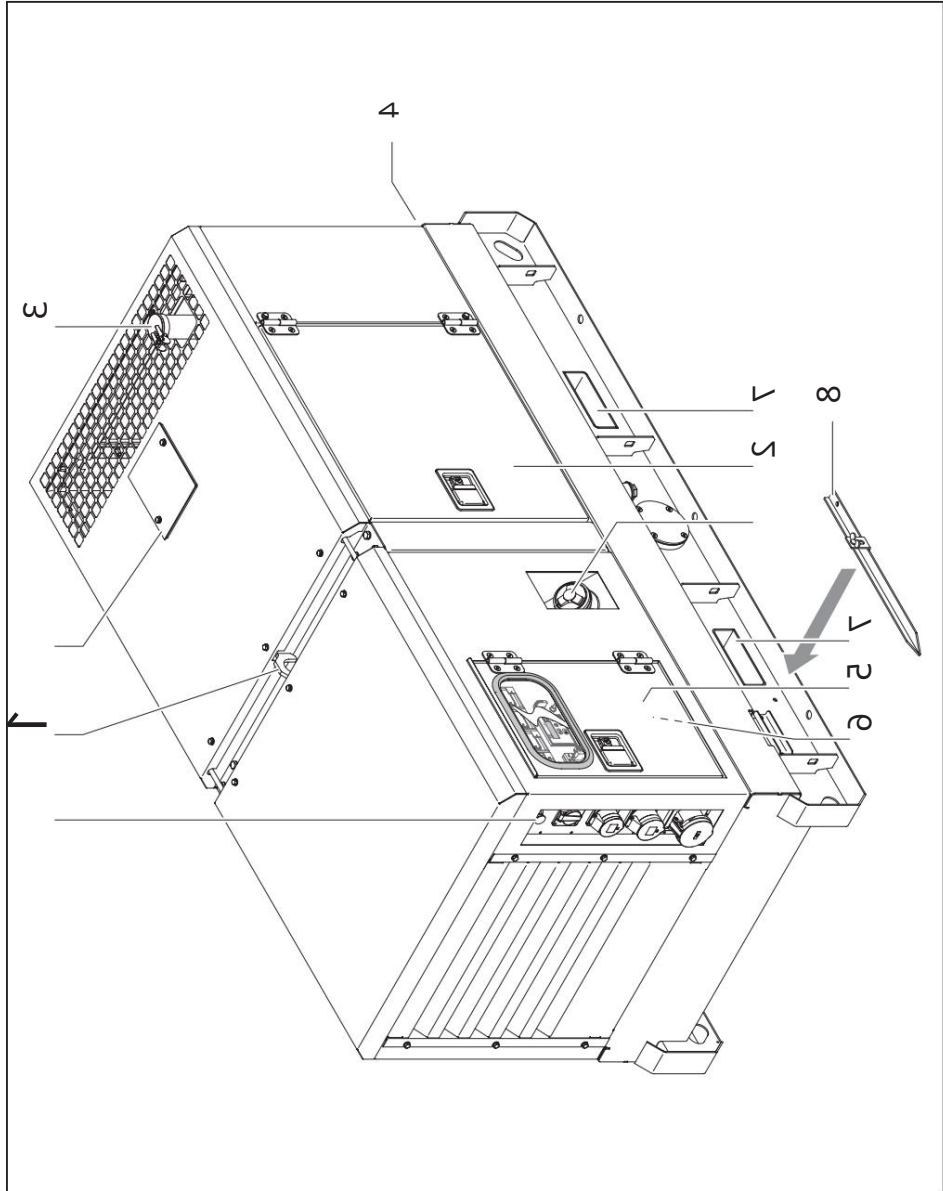


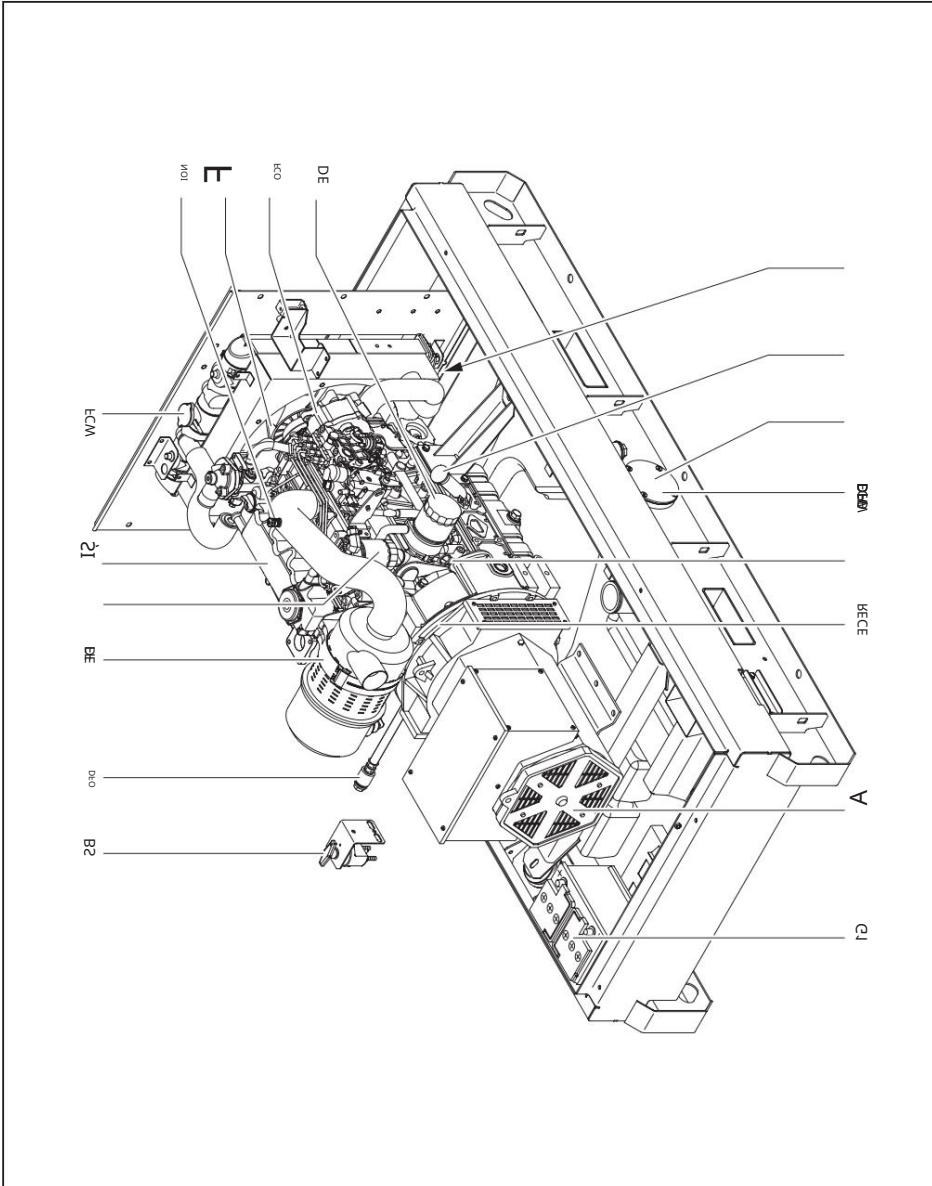


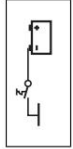
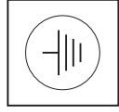
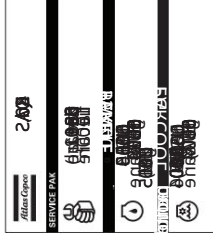
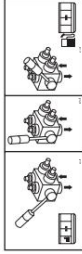


i

i

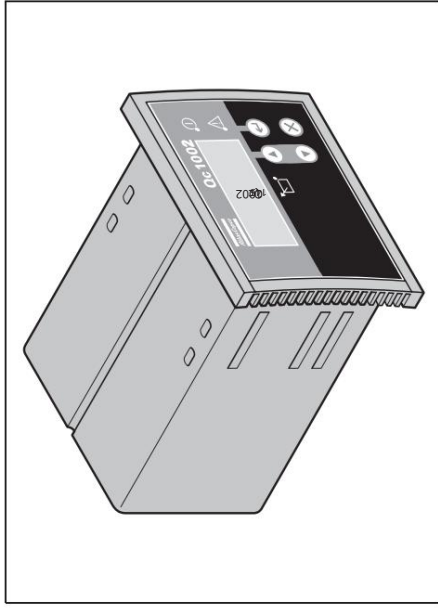






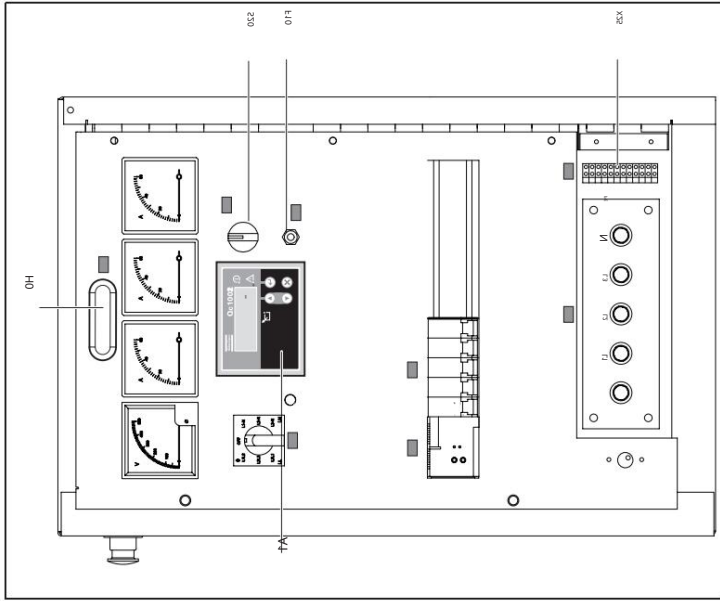
CAUTION

CAUTION



0000000000

X32 ..... Power



0000000000  
Power

0000000000

0000000000

0000000000

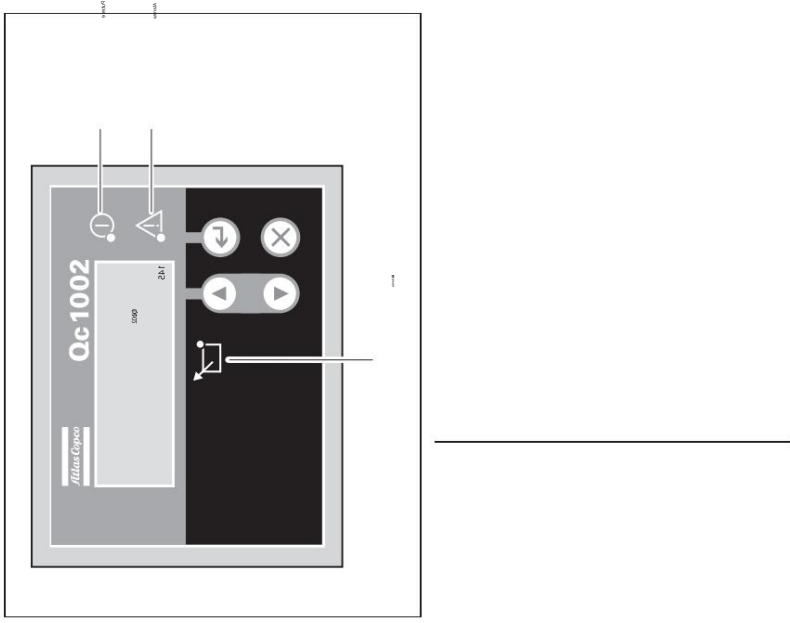
0000000000

1





1



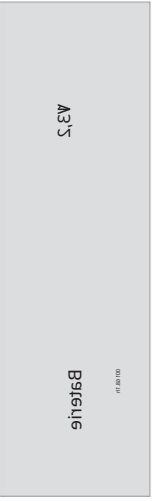
2

3

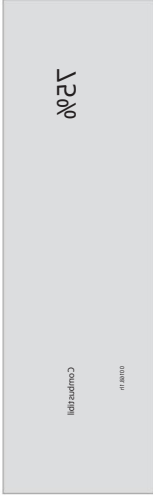
4



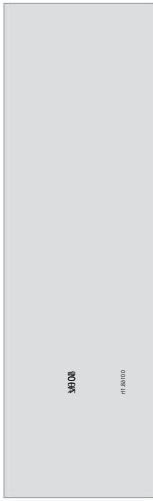
1200



1200



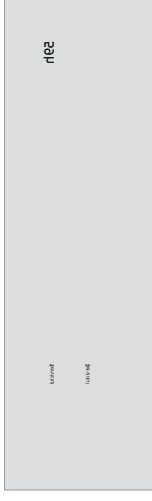
1200



1200



1200



1200



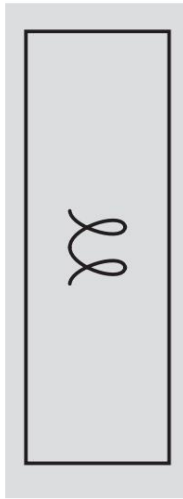
1200



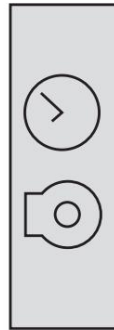
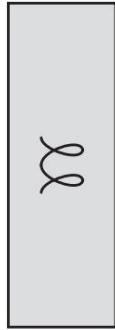
1200

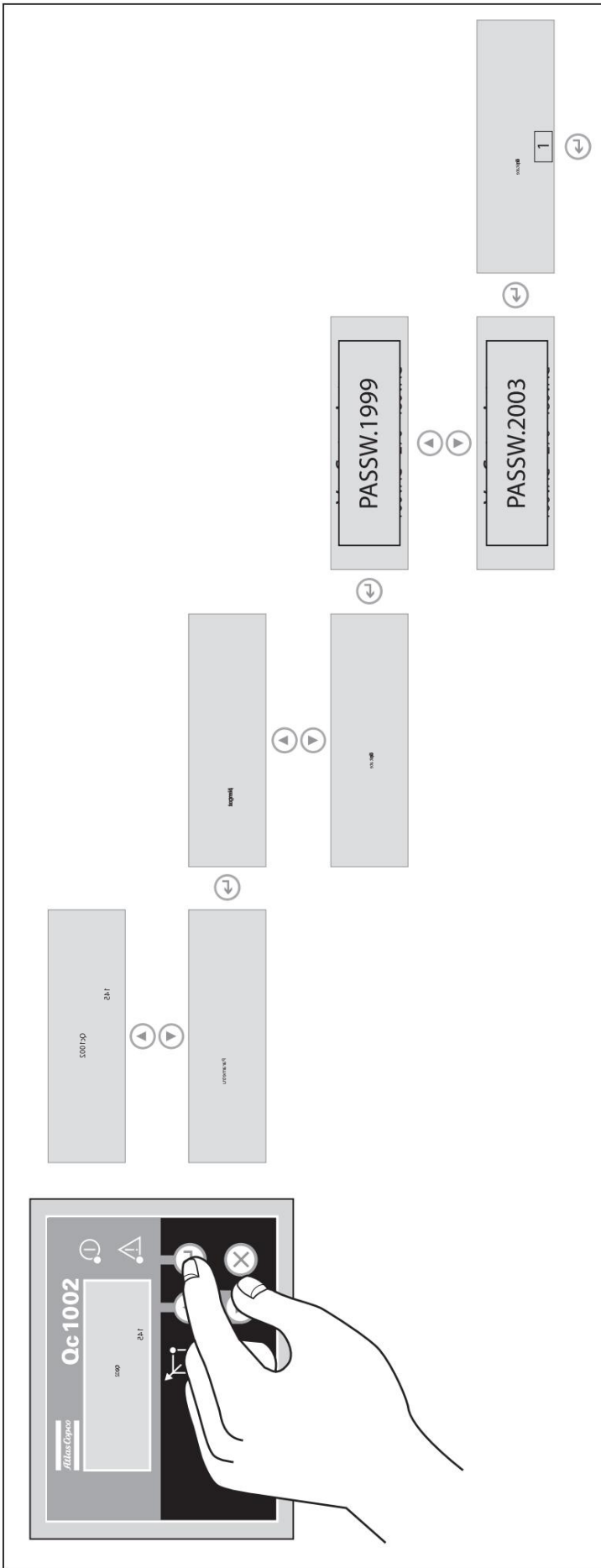


በዕለታዊ  
የገንዘብ

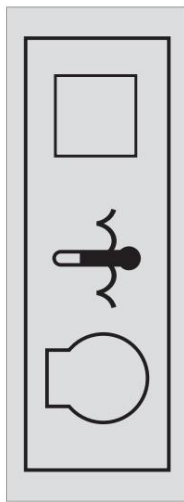


Access

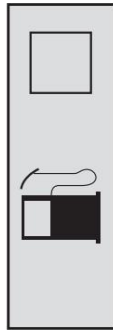
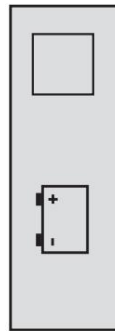
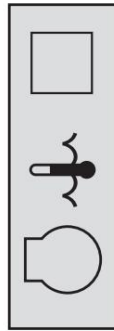
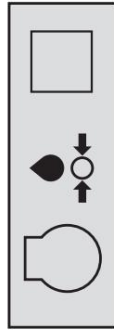




0162ifA 9|9rskmpstl



10bbiridied

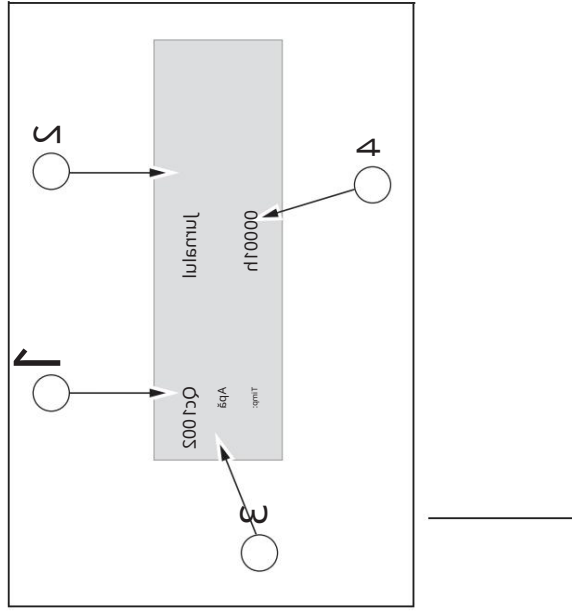


අනුමැතිය

විද්‍යාගාරය



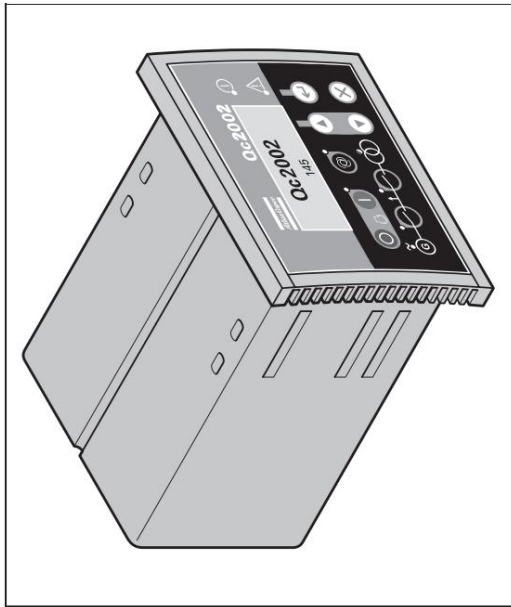
අනුමැතිය



100000

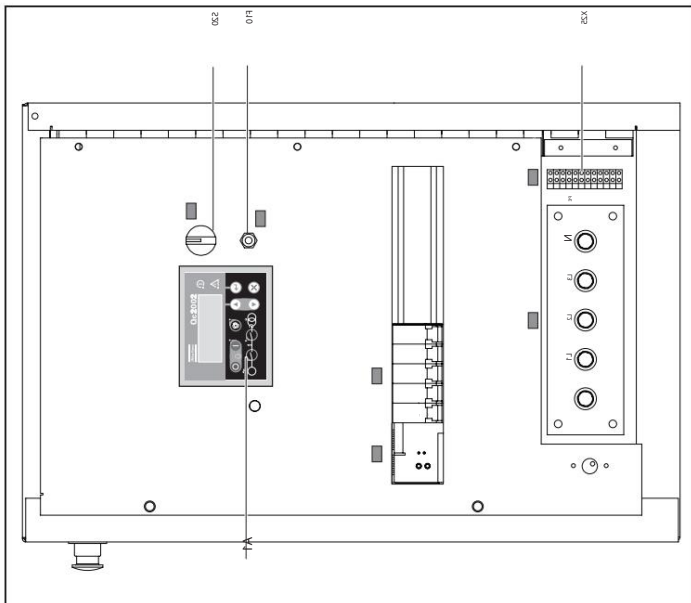
100000

100000



100000

100000

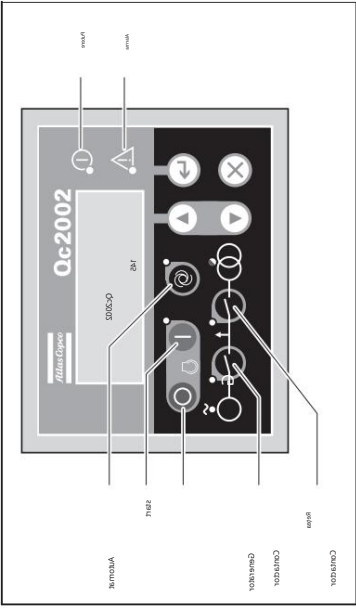


100000

100000

100000

Qc2002  
Atlas Copco





00000000

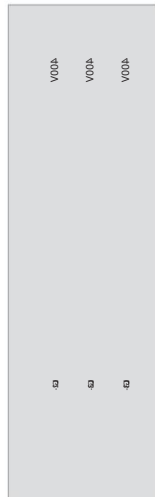
UP DOWN

00000000



UP DOWN

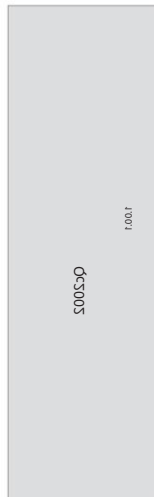
00000000



00000000



00000000



Бразилия

BE  
M  
E  
EQUIP

Бразилия

б  
E  
EQUIP

Вьетнам

001 68 11  
BATELIS  
A35

Вьетнам

001 68 11  
COMPTON  
1200

Бразилия

21  
HARD

Вьетнам

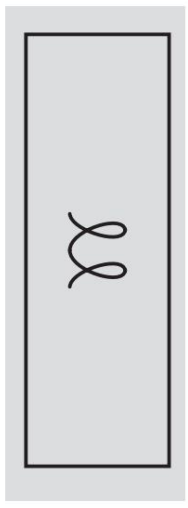
THAI

Бразилия

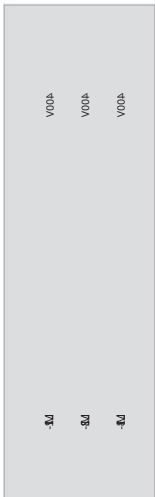
291  
ZAVI  
ZAVI

91222cA

91222cA



91222cA

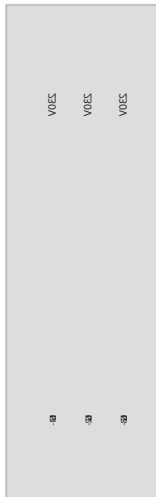


91222cA

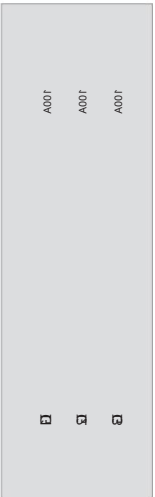
91222cA



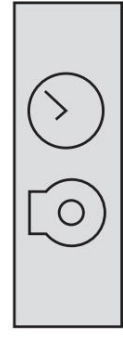
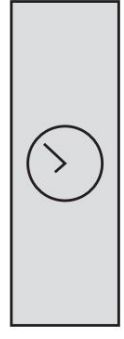
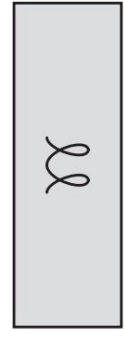
91222cA



91222cA



91222cA



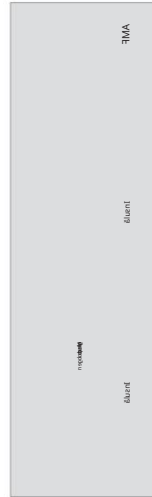
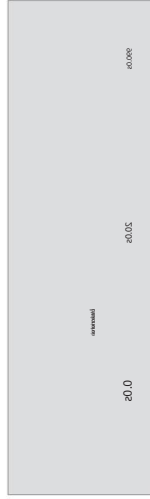
0.000000

0.000000

0.000000

0.000000

0.000000



000123

1000  
110  
1200

000123

1000  
110  
1200

000123456

1000  
108  
1200

000123456

1000  
02  
8000

000123456

1000  
11000

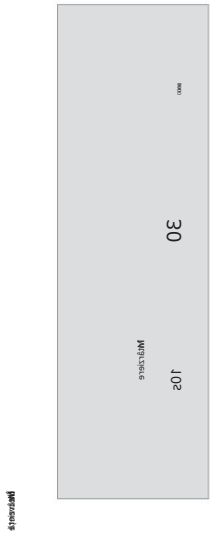
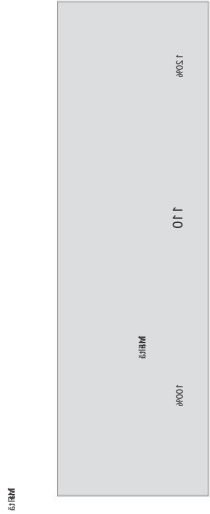
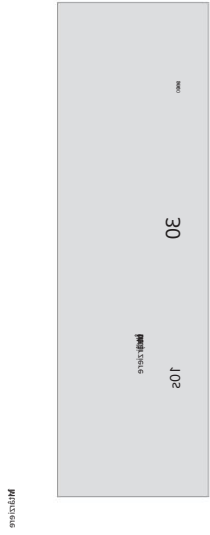
000123456789

1000  
111  
12000

000123456789

1000  
111  
12000

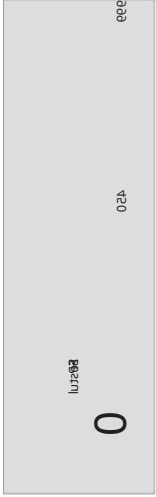




Activare



Activare



Activare



Activare



Activare



Activare



Activare



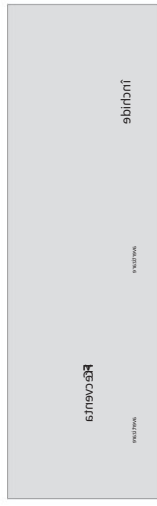
Activare



Activare



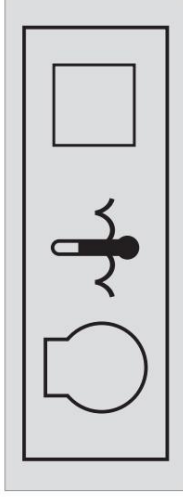
Activare



നവംബർ 10

നവംബർ 10

നവംബർ 10



നവംബർ 10

നവംബർ 10



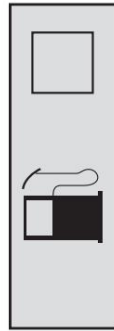
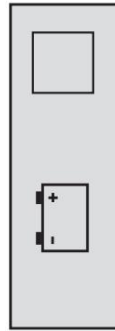
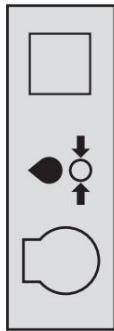
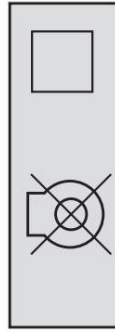
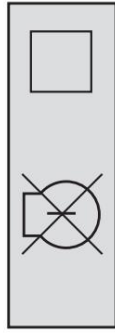
നവംബർ 10



നവംബർ 10

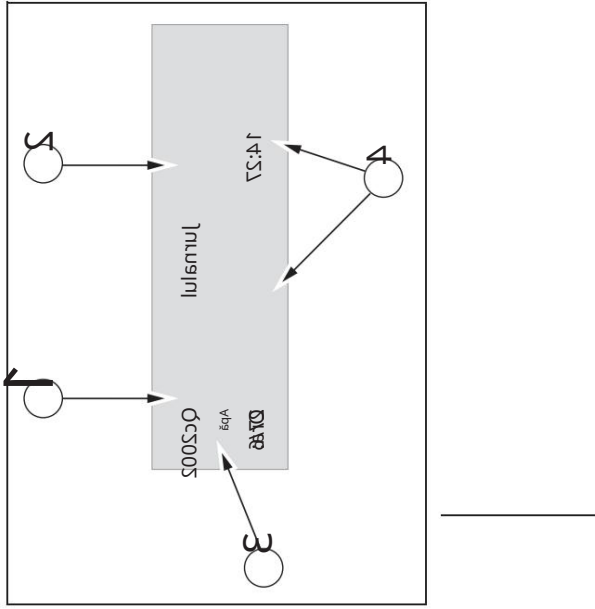






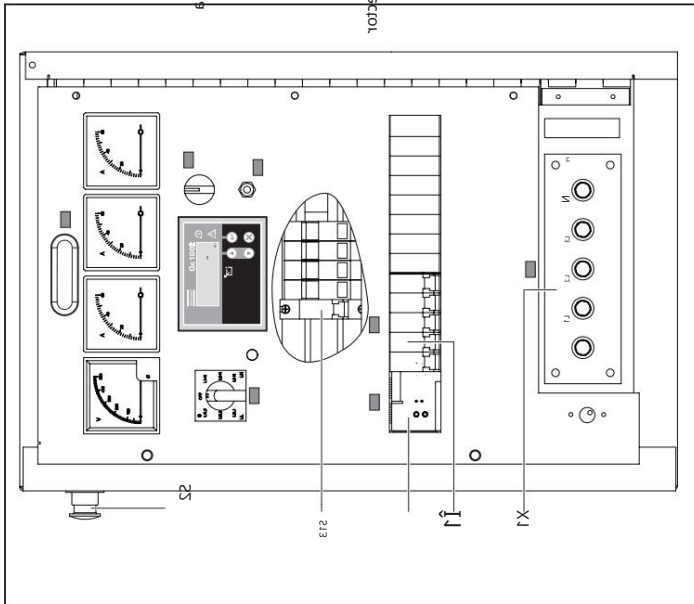
General:

Instructions:



ប្រតិបត្តិការ  
ប្រតិបត្តិការ

ប្រតិបត្តិការ



ប្រតិបត្តិការ

ប្រតិបត្តិការ



ប្រតិបត្តិការ

Ujishabari



അവർക്ക്  
മുൻപുള്ള

r0

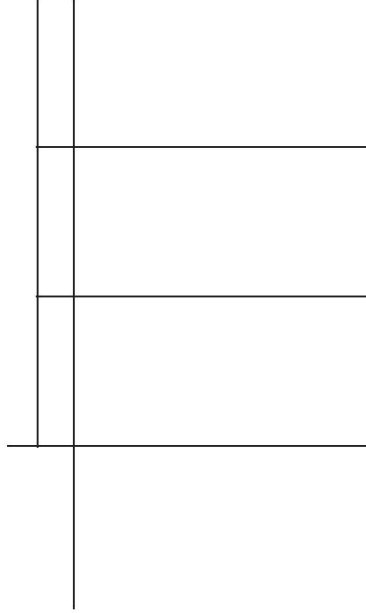
മുൻപുള്ള



$$e = \frac{\sqrt{3} I L R \cos \phi + \sin \phi}{1000}$$

r0

r0



ENGINEERING  
CHINA



ප්‍රවේශය  
ප්‍රවේශය

ප්‍රවේශය



ප්‍රවේශය  
ප්‍රවේශය

1



1

ප්‍රවේශය



ප්‍රවේශය

© 2013 by the American Society of Mechanical Engineers  
All rights reserved. No part of this publication may be reproduced, stored in a retrieval system, or transmitted, in any form or by any means, electronic, mechanical, photocopying, recording, or by any information storage and retrieval system, without the prior written permission of the American Society of Mechanical Engineers, 1801 Alexander Bell Drive, Fairfield, CT 06424-1156.

ASME  
AMERICAN SOCIETY OF MECHANICAL ENGINEERS





Q  
b  
a  
r  
e  
n  
e  
r  
g  
y  
s  
o  
l  
u  
t  
i  
o  
n  
s

Q  
b  
a  
r  
e  
n  
e  
r  
g  
y  
s  
o  
l  
u  
t  
i  
o  
n  
s



மாற்றியமைப்புகள்



| மாற்றியமைப்புகள் | சரிபார்க்கப்பட்டது | புதிய விலை | பழைய விலை |
|------------------|--------------------|------------|-----------|
| பொருள்           | விலை               | விலை       | விலை      |
|                  |                    |            |           |
|                  |                    |            |           |
|                  |                    |            |           |
|                  |                    |            |           |
|                  |                    |            |           |
|                  |                    |            |           |
|                  |                    |            |           |
|                  |                    |            |           |
|                  |                    |            |           |
|                  |                    |            |           |
|                  |                    |            |           |
|                  |                    |            |           |
|                  |                    |            |           |
|                  |                    |            |           |



# transfiri

|  |  |  |
|--|--|--|
|  |  |  |
|  |  |  |
|  |  |  |



no



10/20/2016

10/20/2016

10/20/2016

|  | 10/20/2016 | 10/20/2016 | 10/20/2016 | 10/20/2016 | 10/20/2016 |
|--|------------|------------|------------|------------|------------|
|  |            |            |            |            |            |
|  |            |            |            |            |            |
|  |            |            |            |            |            |

10/20/2016

|  | 10/20/2016 | 10/20/2016 | 10/20/2016 | 10/20/2016 | 10/20/2016 |
|--|------------|------------|------------|------------|------------|
|  |            |            |            |            |            |
|  |            |            |            |            |            |
|  |            |            |            |            |            |

பெருமளவு

✓

|  |          |          |          |          |
|--|----------|----------|----------|----------|
|  | பெருமளவு | பெருமளவு | பெருமளவு | பெருமளவு |
|  |          |          |          |          |
|  |          |          |          |          |
|  |          |          |          |          |

✓

ചിത്രങ്ങൾ



ചിത്രങ്ങൾ

ചിത്രങ്ങൾ

ചിത്രങ്ങൾ

ചിത്രങ്ങൾ

ചിത്രങ്ങൾ

**Deber**

**Verificari**



10/10/2020

no





1

10/10/2020

10/10/2020

10/10/2020

1

1

1

1

1

1

1

!

!

!

!

!

!

!

!

!



1

1

1

1

1

1

1 \*

šönkēbēđ

ěs'ěđ

ětś.ěđ

rotasiōnēđ

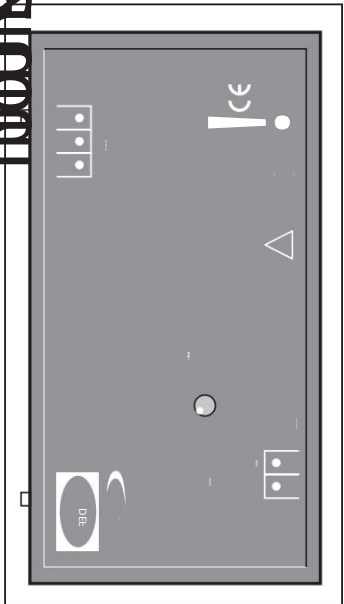
ětś.ěđ

ětś.ěđ

inūbtīēđ

ětś.ěđ

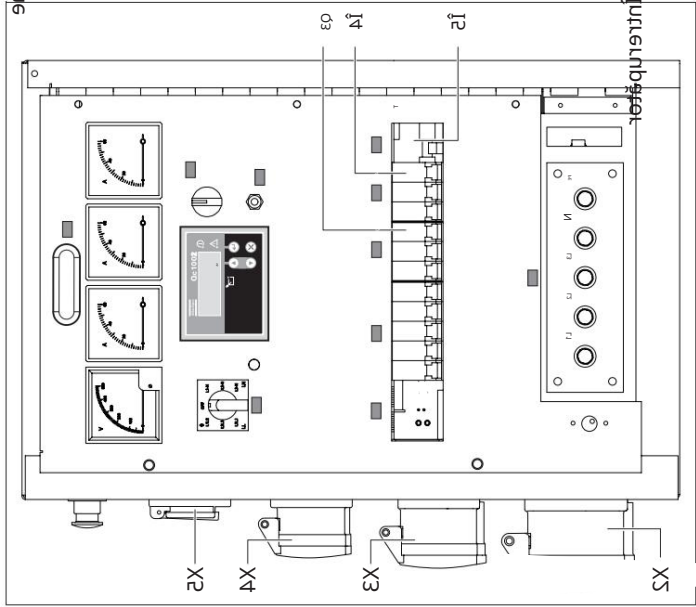
rotaciōn. Disjunctōr



1015 2015 2015 2015

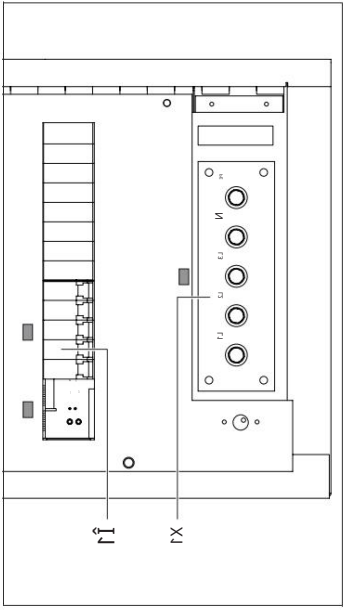
1015 2015 2015 2015

1015 2015 2015 2015

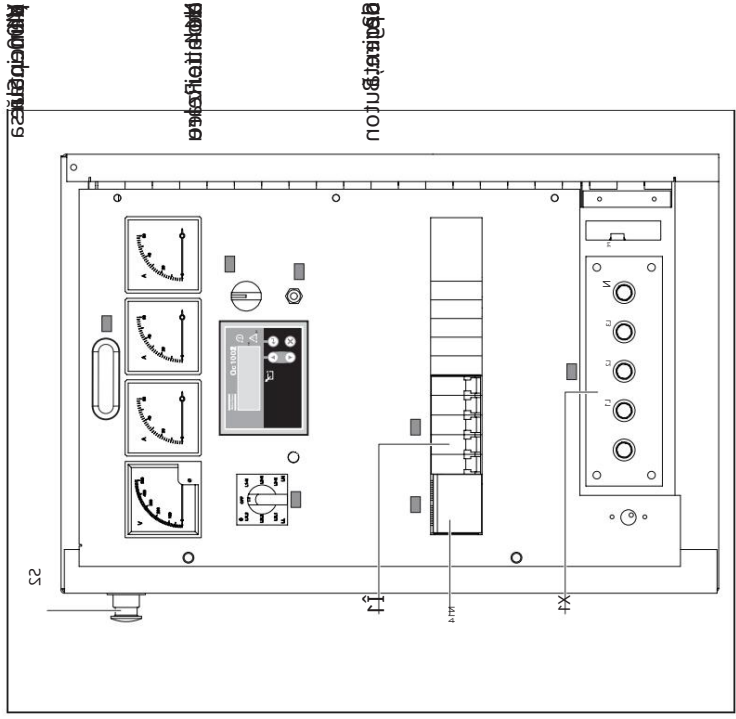


1015 2015 2015 2015

1015 2015 2015 2015



ບອກ

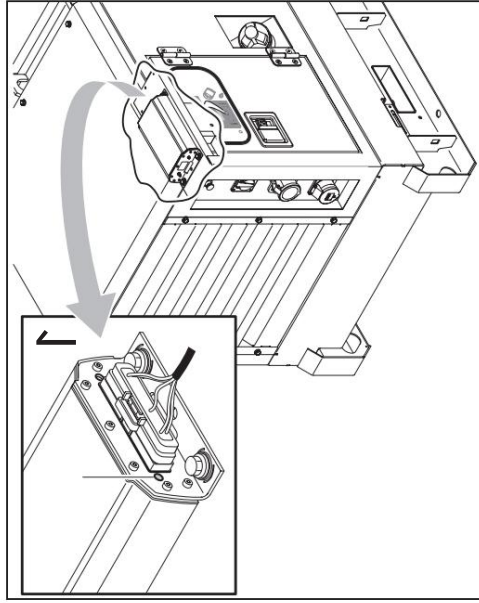
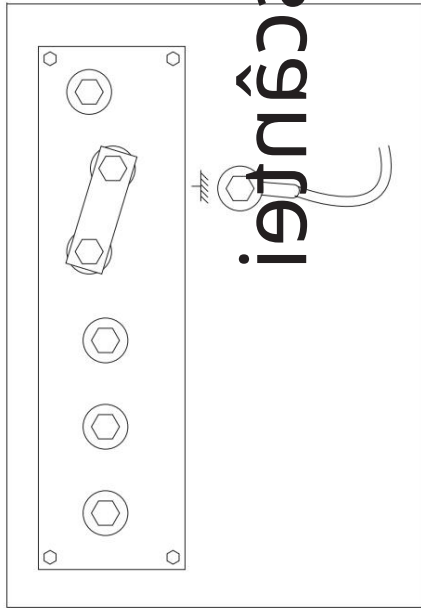
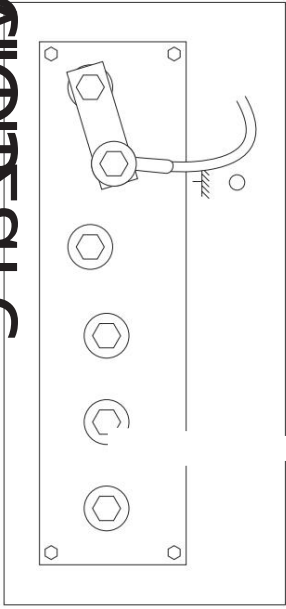


រូបភាពប្រព័ន្ធគ្រប់គ្រង



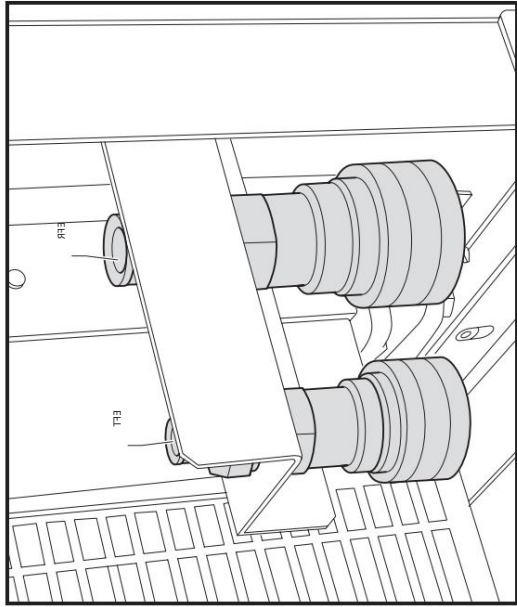
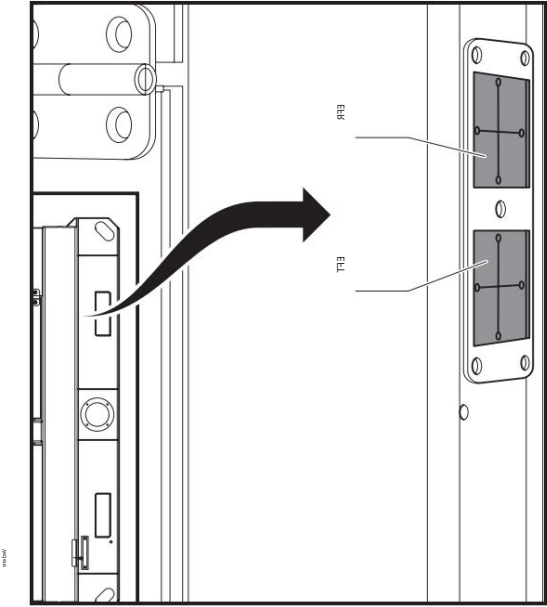
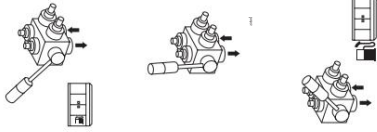
916520191200

916520191200



1

2





DATE

DATE

DATE

DATE

DATE

DATE

DATE

DATE

DATE

DATE

DATE

DATE

DATE

DATE



---

ipj

---

---

---

---





---

---

---

5104



000000

|  |  |  |  |  |  |  |  |  |  |
|--|--|--|--|--|--|--|--|--|--|
|  |  |  |  |  |  |  |  |  |  |
|  |  |  |  |  |  |  |  |  |  |
|  |  |  |  |  |  |  |  |  |  |
|  |  |  |  |  |  |  |  |  |  |
|  |  |  |  |  |  |  |  |  |  |
|  |  |  |  |  |  |  |  |  |  |
|  |  |  |  |  |  |  |  |  |  |
|  |  |  |  |  |  |  |  |  |  |
|  |  |  |  |  |  |  |  |  |  |
|  |  |  |  |  |  |  |  |  |  |
|  |  |  |  |  |  |  |  |  |  |
|  |  |  |  |  |  |  |  |  |  |
|  |  |  |  |  |  |  |  |  |  |
|  |  |  |  |  |  |  |  |  |  |
|  |  |  |  |  |  |  |  |  |  |
|  |  |  |  |  |  |  |  |  |  |
|  |  |  |  |  |  |  |  |  |  |
|  |  |  |  |  |  |  |  |  |  |
|  |  |  |  |  |  |  |  |  |  |
|  |  |  |  |  |  |  |  |  |  |
|  |  |  |  |  |  |  |  |  |  |
|  |  |  |  |  |  |  |  |  |  |
|  |  |  |  |  |  |  |  |  |  |





|  |  |   |  |
|--|--|---|--|
|  |  | Φ |  |
|  |  |   |  |
|  |  |   |  |
|  |  |   |  |
|  |  |   |  |
|  |  |   |  |
|  |  |   |  |
|  |  |   |  |
|  |  |   |  |
|  |  |   |  |
|  |  |   |  |
|  |  |   |  |

1. ...  
 2. ...  
 3. ...  
 4. ...  
 5. ...  
 6. ...  
 7. ...  
 8. ...  
 9. ...  
 10. ...  
 11. ...  
 12. ...  
 13. ...  
 14. ...  
 15. ...  
 16. ...  
 17. ...  
 18. ...  
 19. ...  
 20. ...  
 21. ...  
 22. ...  
 23. ...  
 24. ...  
 25. ...  
 26. ...  
 27. ...  
 28. ...  
 29. ...  
 30. ...  
 31. ...  
 32. ...  
 33. ...  
 34. ...  
 35. ...  
 36. ...  
 37. ...  
 38. ...  
 39. ...  
 40. ...  
 41. ...  
 42. ...  
 43. ...  
 44. ...  
 45. ...  
 46. ...  
 47. ...  
 48. ...  
 49. ...  
 50. ...  
 51. ...  
 52. ...  
 53. ...  
 54. ...  
 55. ...  
 56. ...  
 57. ...  
 58. ...  
 59. ...  
 60. ...  
 61. ...  
 62. ...  
 63. ...  
 64. ...  
 65. ...  
 66. ...  
 67. ...  
 68. ...  
 69. ...  
 70. ...  
 71. ...  
 72. ...  
 73. ...  
 74. ...  
 75. ...  
 76. ...  
 77. ...  
 78. ...  
 79. ...  
 80. ...  
 81. ...  
 82. ...  
 83. ...  
 84. ...  
 85. ...  
 86. ...  
 87. ...  
 88. ...  
 89. ...  
 90. ...  
 91. ...  
 92. ...  
 93. ...  
 94. ...  
 95. ...  
 96. ...  
 97. ...  
 98. ...  
 99. ...  
 100. ...

---

---

---



---

---

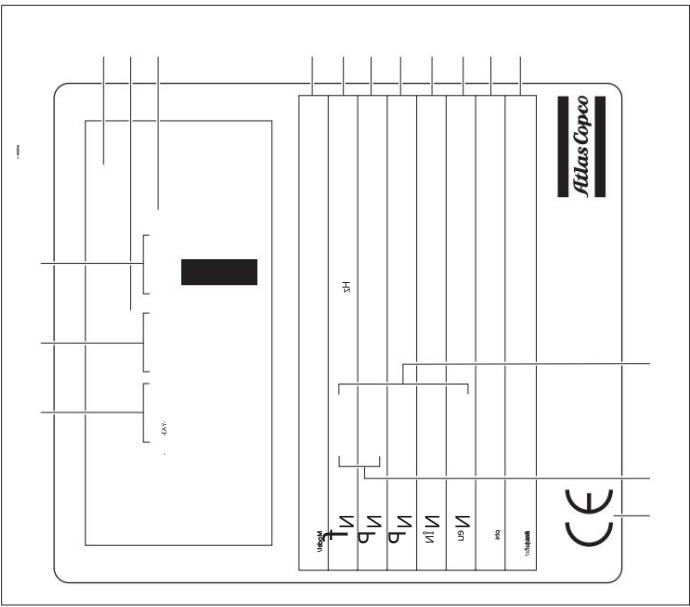
---

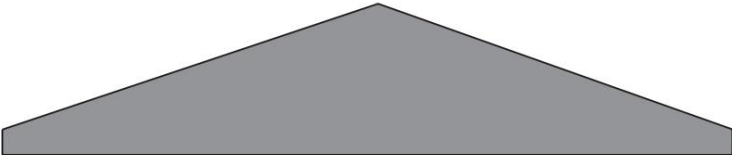
---

---

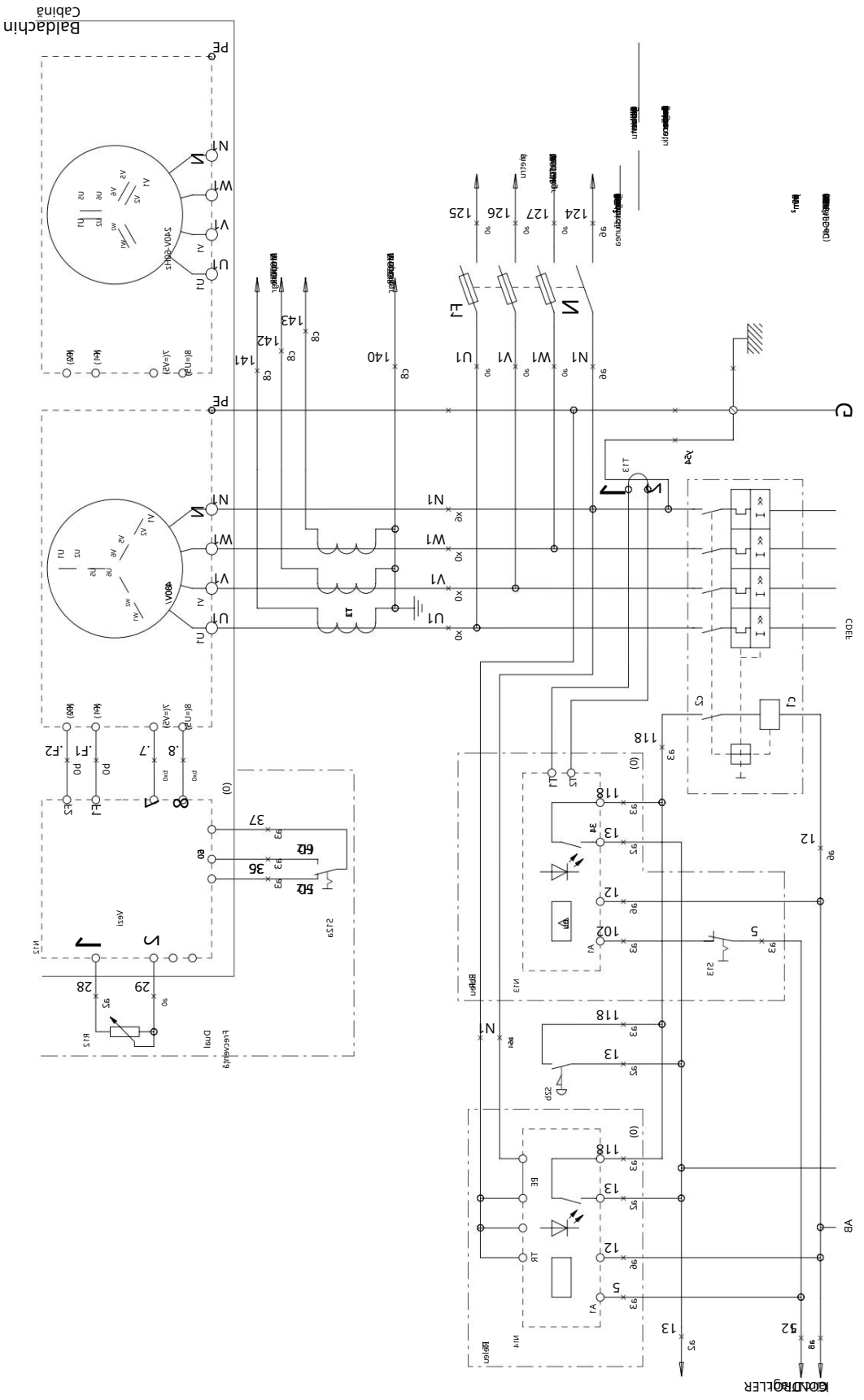
---





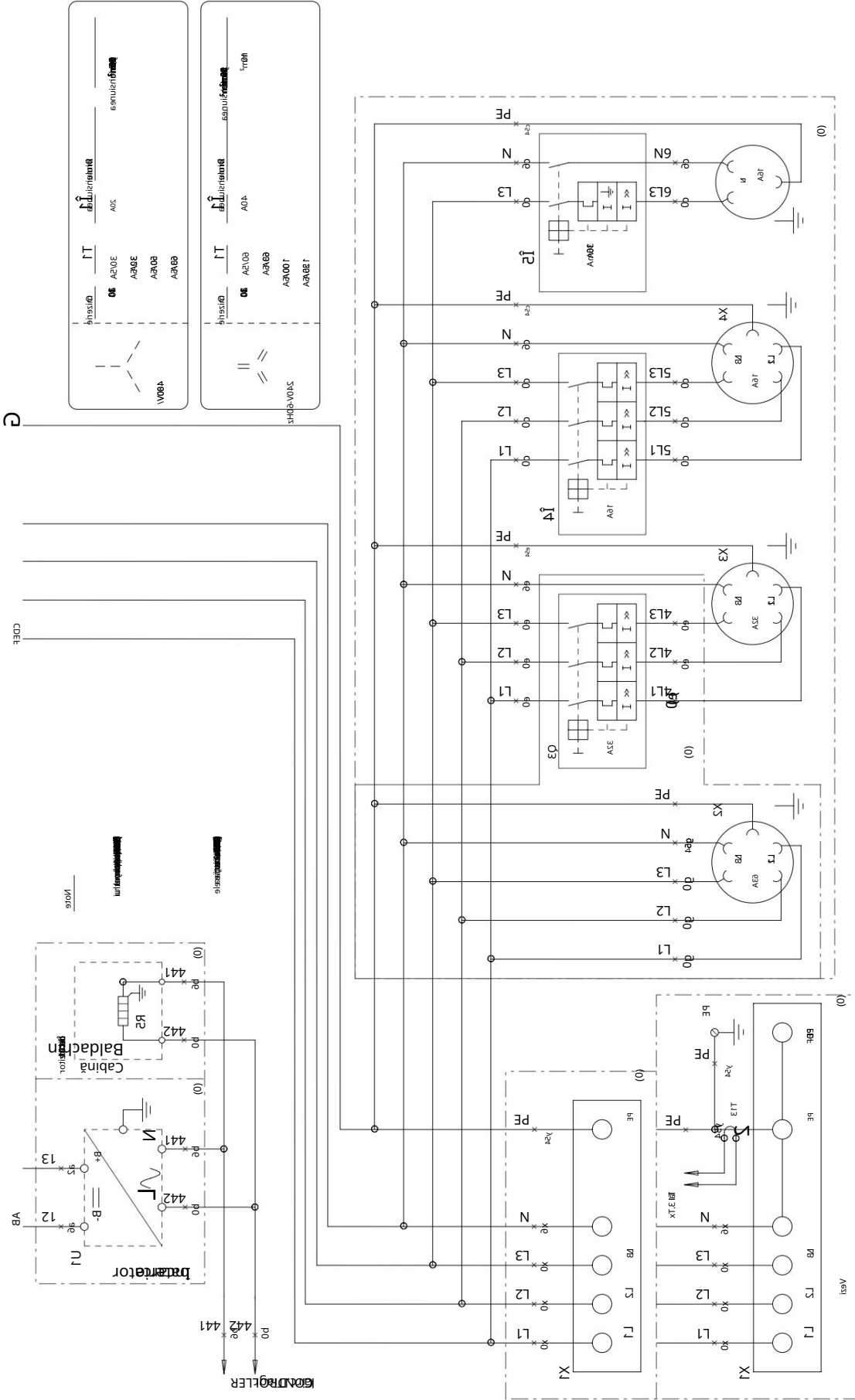


1



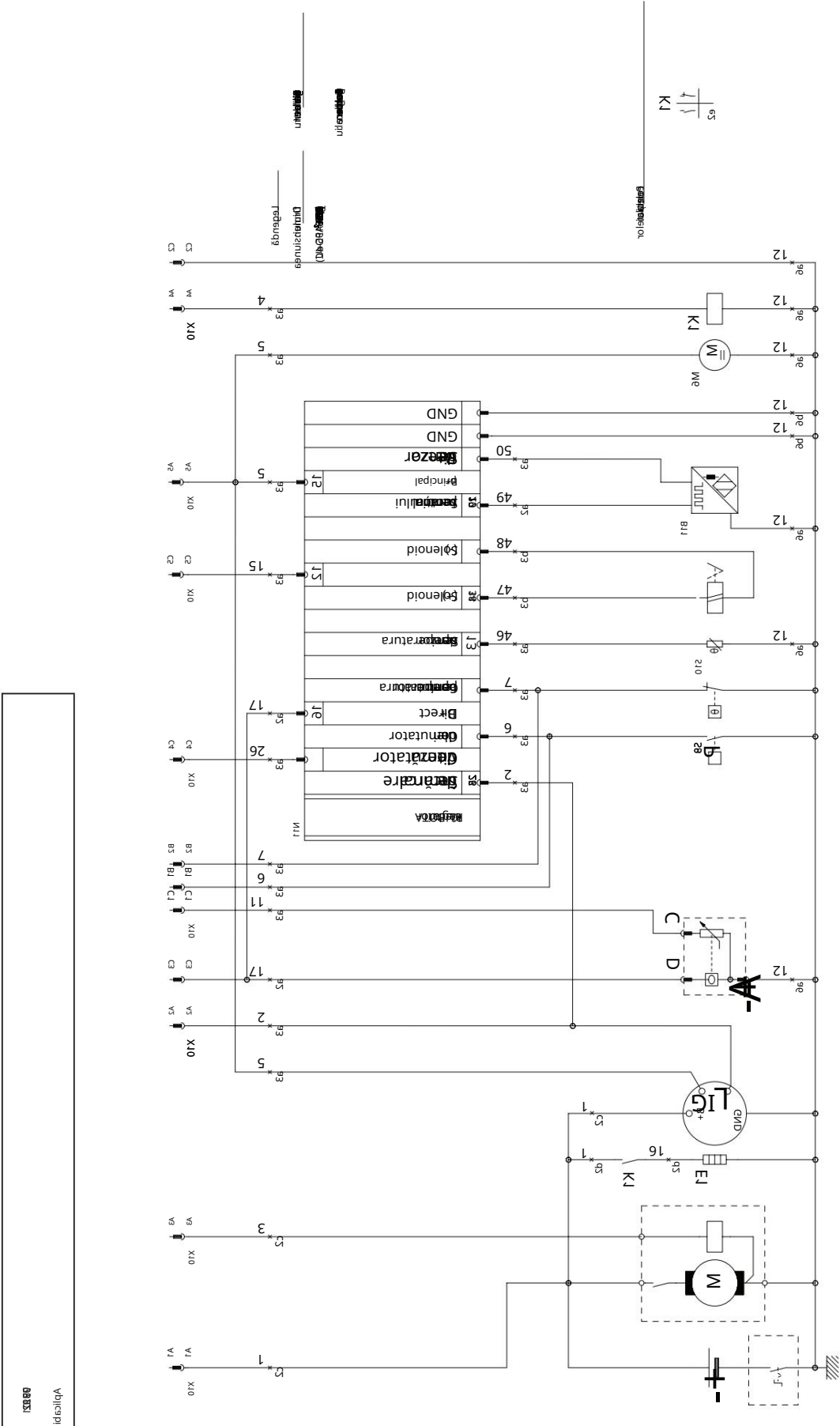
080833  
 080833  
 080833







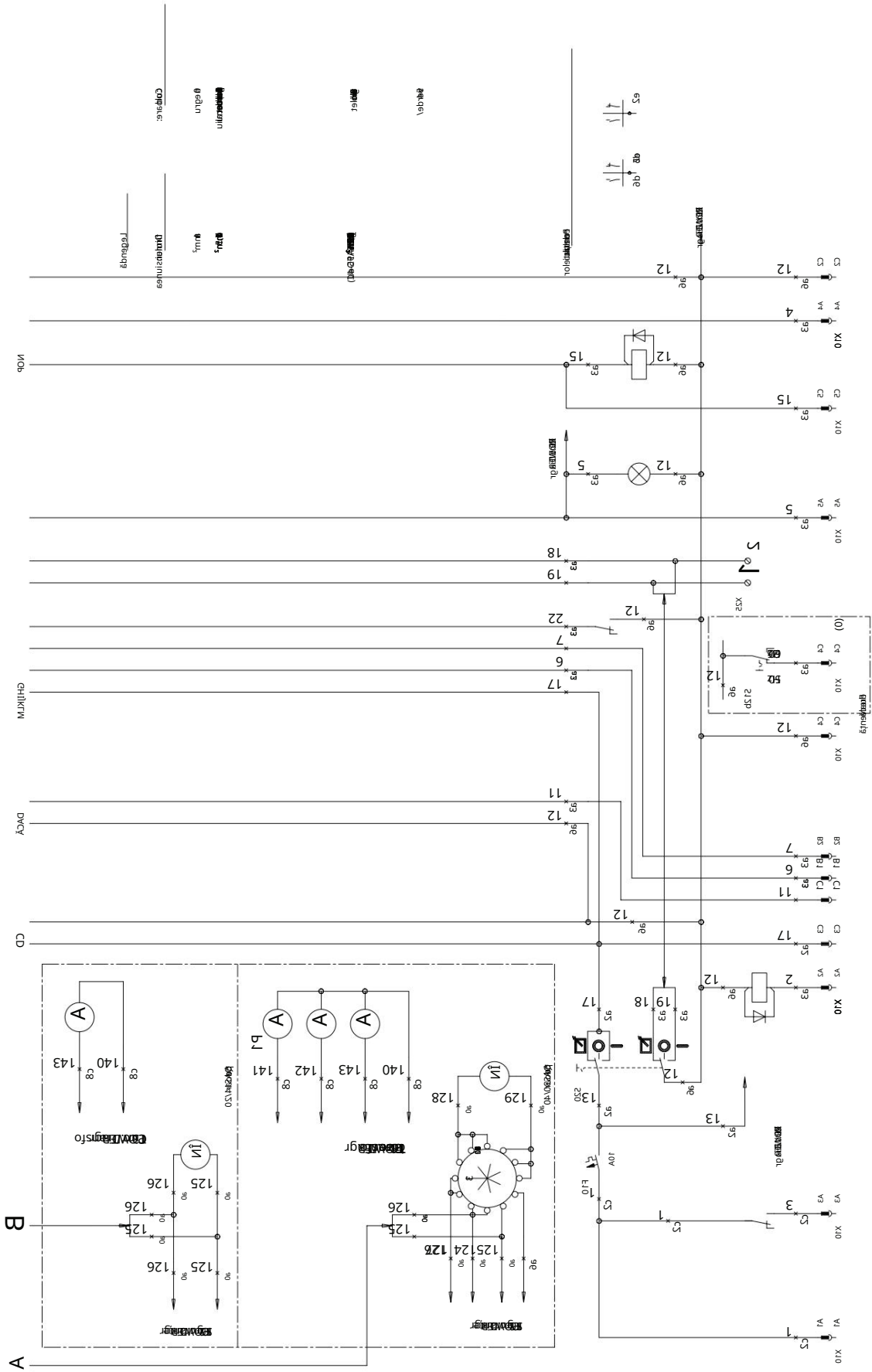


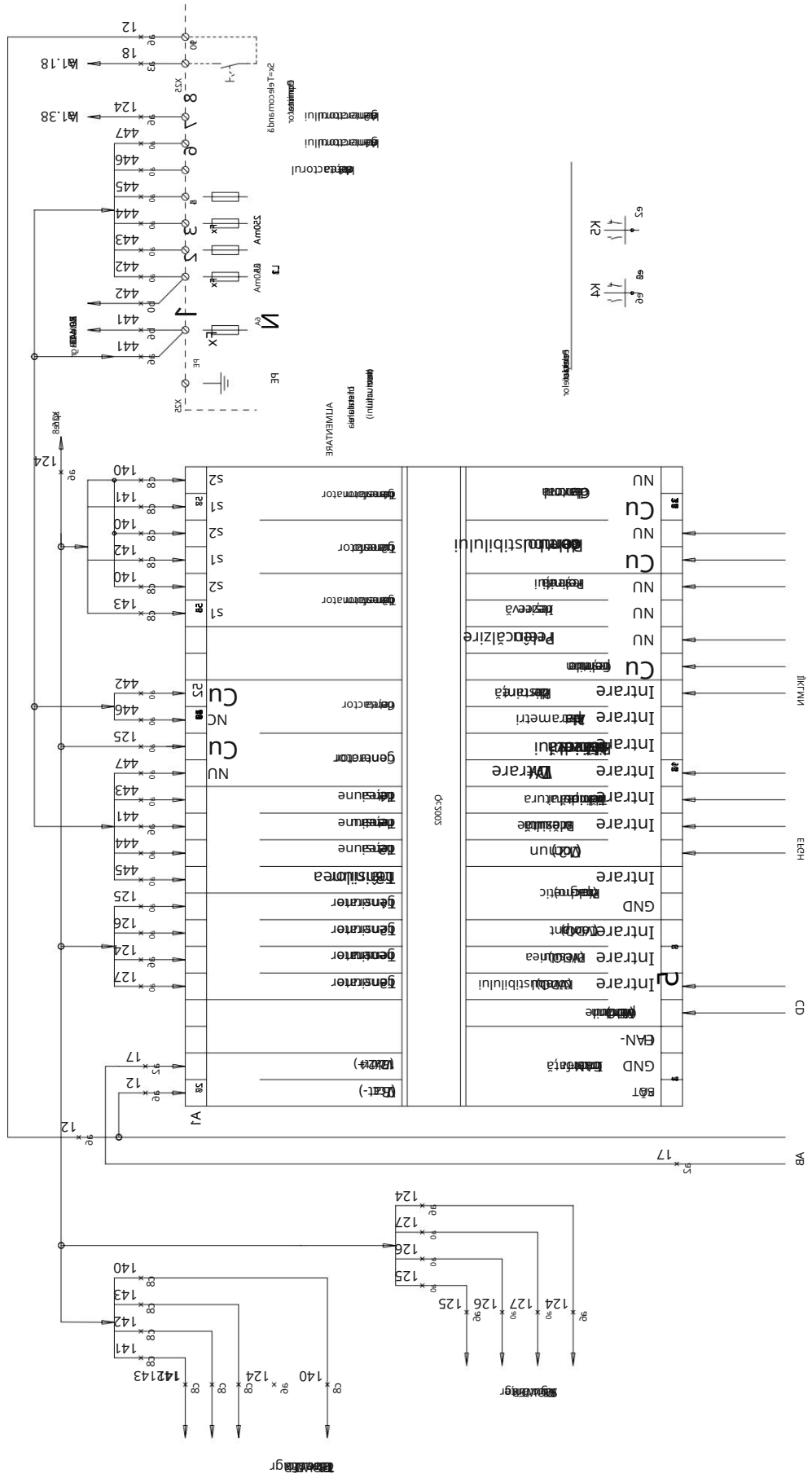


0288321  
id:51094



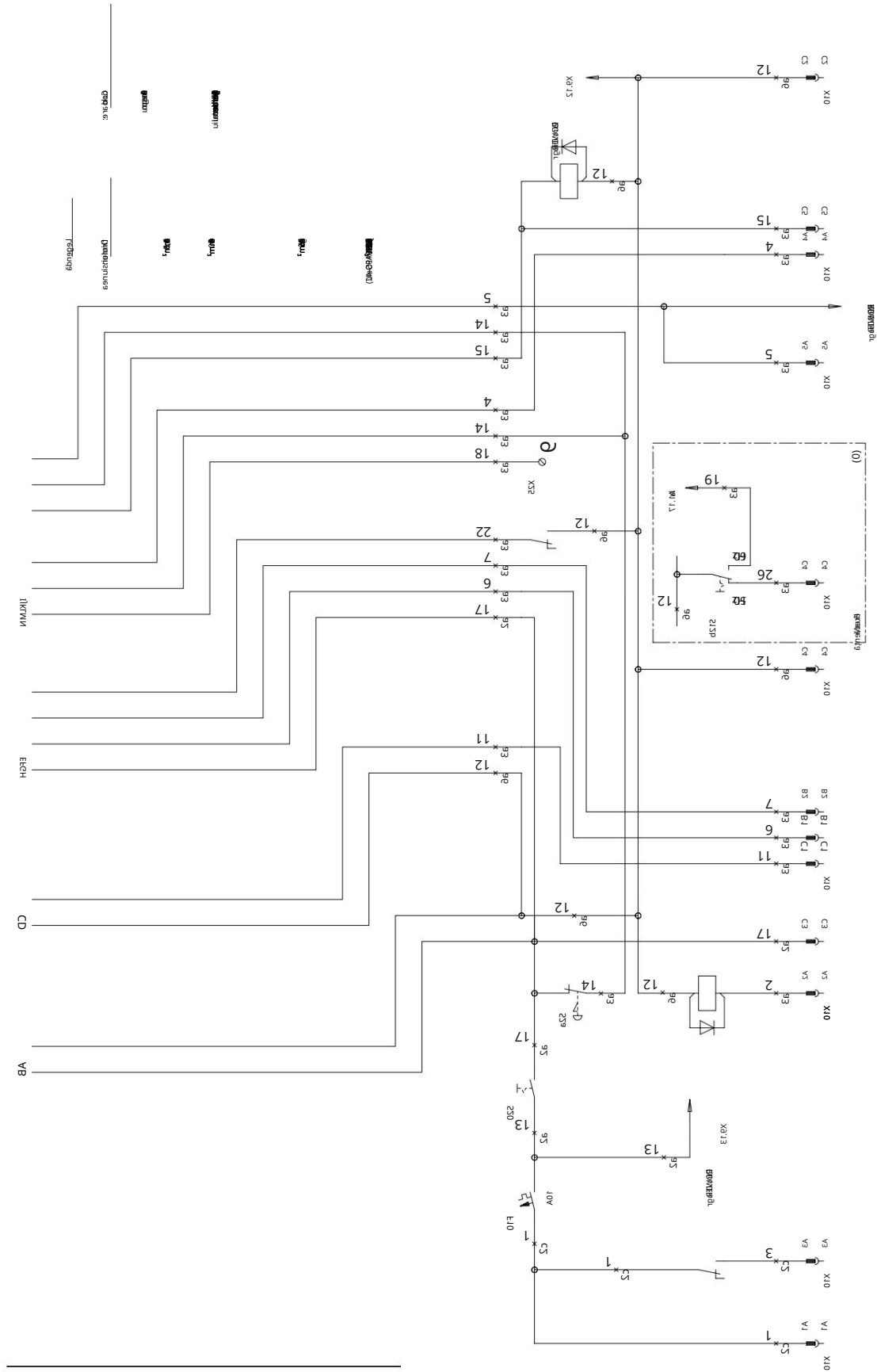






Vălcărești  
 083033









800-611-1111

© 2011 Atlas Copco

